

BARRY
CONTROLS



PAULSTRADYN®

New !

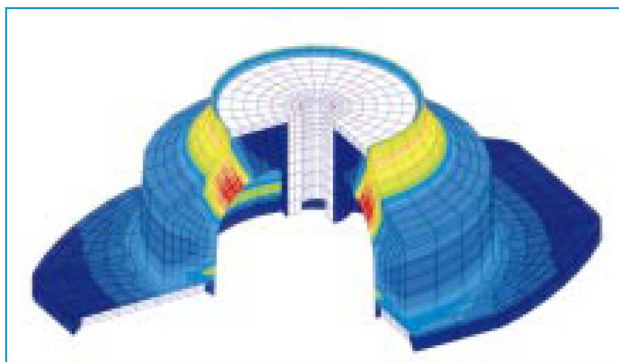
Natural frequency :

- axial 7 Hz
- radial 3 to 5.5 Hz



DESCRIPTION

- Better isolation than 90% isolation at 1.500 rpm (25 Hz).
- Constant height over wide load range.
- Stabilised characteristics during Service Life.
- Simple to fit.
- 400 hours protection against salt spray*.
- * When mounted according to the recommendations given in the catalogue.
- Low increase of stiffness with frequency
- Low creep
- Design.



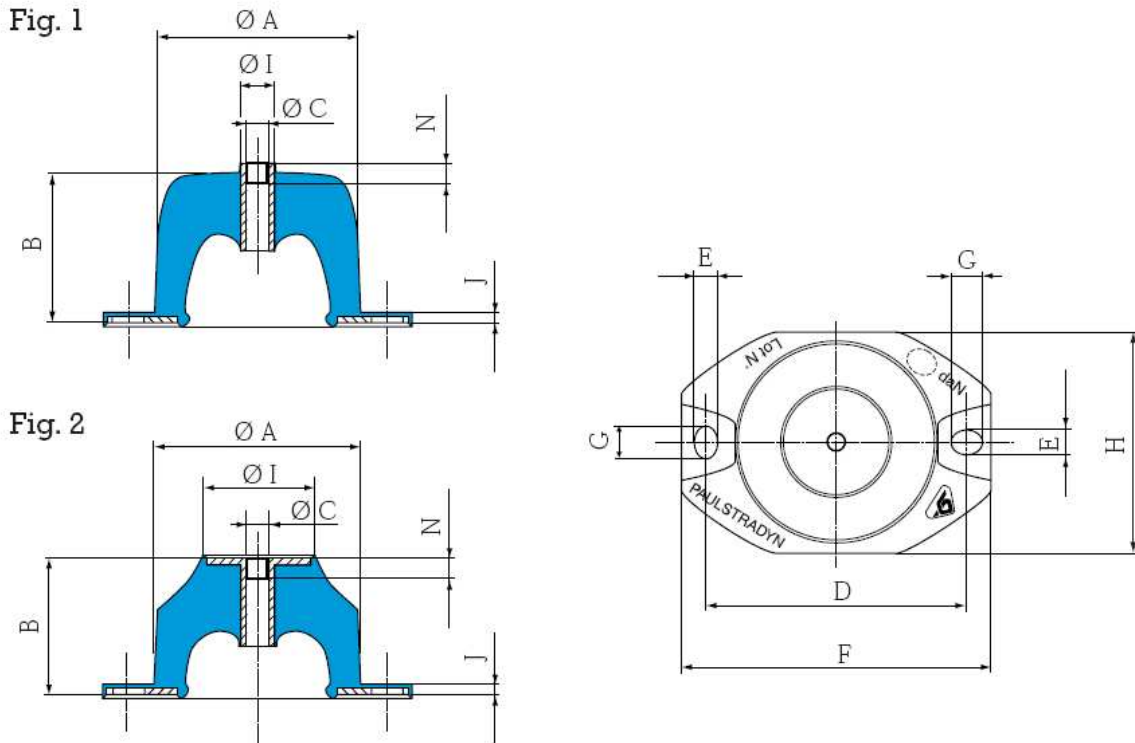
Finite element modeling

APPLICATIONS

Anti vibration isolation for static equipment :

- rotating machinery such as fans, air-conditioning, pumps, compressors, generator sets.
- pipework, ceilings, transformers, electrical enclosures.

DIMENSIONS



Designation	Ref.	Nominal Load NL - Lbs	Fig.	Ø A	B*	C	D	E	F	G	H	Ø I	J	N
Paulstradyn 4	533701	9	1	40	40	M6	52	6.2	64	6.2	44	12	2.5	6
Paulstradyn 7	533702	15	1	40	40	M6	52	6.2	64	6.2	44	12	2.5	6
Paulstradyn 12	533703	25	1	40	40	M6	52	6.2	64	6.2	44	12	2.5	6
Paulstradyn 20	533704	45	2	60	40	M6	76	6.2	90	8.2	64	32	2.5	6
Paulstradyn 30	533705	65	2	60	40	M6	76	6.2	90	8.2	64	32	2.5	6
Paulstradyn 50	533706	110	2	60	40	M6	76	6.2	90	8.2	64	32	2.5	6
Paulstradyn 70	533707	155	2	80	40	M8	100	8.2	122	12.2	84	48	2.5	12
Paulstradyn 100	533708	220	2	80	40	M8	100	8.2	122	12.2	84	48	2.5	12
Paulstradyn 130	533709	290	2	80	40	M8	100	8.2	122	12.2	84	48	2.5	12
Paulstradyn 160	533710	355	2	100	40	M10	124	10.2	152	16.2	104	68	3	10
Paulstradyn 200	533711	440	2	100	40	M10	124	10.2	152	16.2	104	68	3	10
Paulstradyn 260	533712	575	2	100	40	M10	124	10.2	152	16.2	104	68	3	10
Paulstradyn 325	533713	720	2	150	40	M12	182	12.2	214	20.2	154	116	4.5	10
Paulstradyn 400	533714	880	2	150	40	M12	182	12.2	214	20.2	154	116	4.5	10
Paulstradyn 500	533715	1100	2	150	40	M12	182	12.2	214	20.2	154	116	4.5	10
Paulstradyn 640	533716	1415	2	200	40	M16	240	14.2	280	24.2	204	159	5.5	20
Paulstradyn 820	533717	1810	2	200	40	M16	240	14.2	280	24.2	204	159	5.5	20
Paulstradyn 1050	533718	2320	2	200	40	M16	240	14.2	280	24.2	204	159	5.5	20
Paulstradyn 1350	533719	2980	2	200	40	M16	240	14.2	280	24.2	204	159	5.5	20

*: Height, unloaded 40 mm, under load 32 mm (see Technical Characteristics).

NL: Nominal static load with mounting under axial compression.

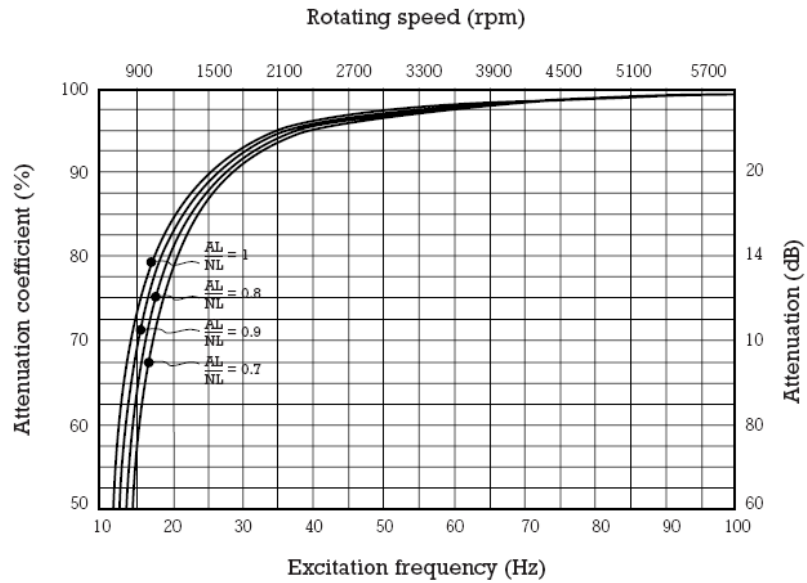
TECHNICAL CHARACTERISTICS

The vibration attenuation and height characteristics under nominal load are stabilised after one month under load at 20°C.

Common characteristics

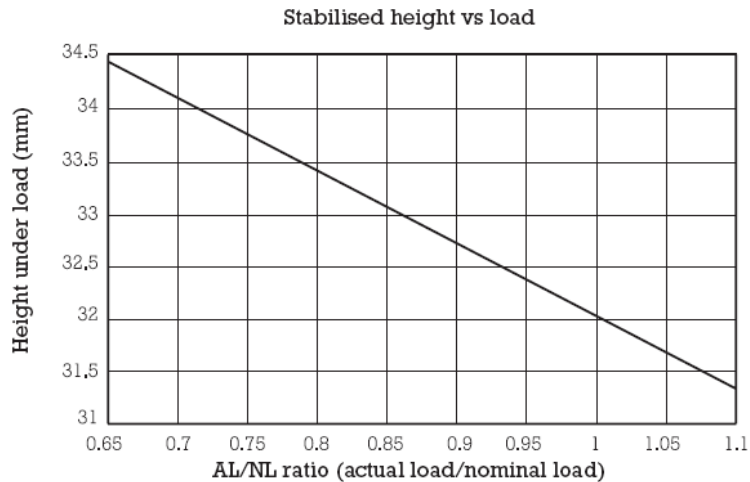
- Natural axial frequency 7 Hz, with nominal load.
- Natural radial frequency 3 to 5.5 Hz.
- Maximum displacement :
 - axial : 12 mm.
 - radial : ± 10 mm.

Vibration attenuation



$$\frac{AL}{NL} = \text{Ratio} \frac{\text{Actual load}}{\text{Nominal load}}$$

Height under load



Temperature

- Operating temperature : - 20°C to + 70°C.

Other characteristics*

- Good dynamic performance at high frequency.
- Withstands fatigue and shocks.
- Reduced creep.

* Detailed Technical Characteristics can be sent on request. Ask us for details.

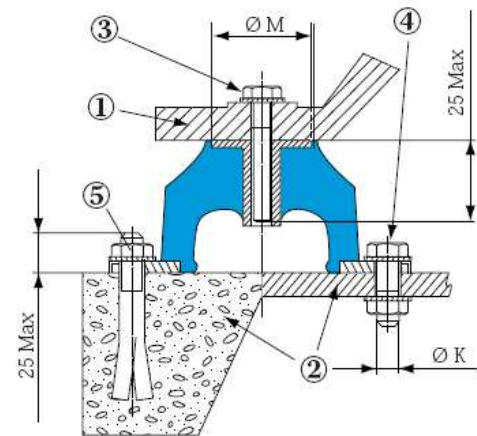
INSTALLATION

Standard installation

1. machine base or foot dimensions $> \varnothing M^*$
2. supporting structure (floor) dimensions $>$ base of mounting
F x H* (refer page 39)
3. screw $\varnothing C^{**}$
4. screw $\varnothing K$, a washer is required between the screw head and the PAULSTRADYN*
5. screw $\varnothing K$, a washer is required between the screw head and the PAULSTRADYN*

Note : * to distribute the load and resist corrosion

** nuts and screws grade 4.6 minimum.



ON CONCRETE ON CHASSIS

Fig. 1

Recommended torque

$\varnothing K$	M6	M8	M10	M12
Torque Lbs.ft	1.5	3.7	8.9	14.8

Note : Do not paint the mountings after fitting.

Alternative installation

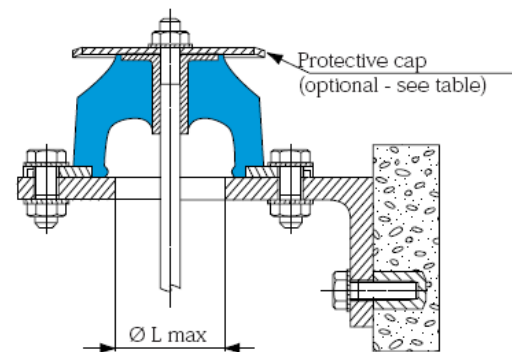


Fig. 2

Protective cap cross reference

Paulstradyn references	Dimensions (mm)			Optional protection cup
	$\varnothing K$ - fig 1	$\varnothing L$ max - fig 2	$\varnothing M$ max - fig 1	
533701, 533702, 533703	M5	27	14	342919
533704, 533705, 533706	M5	40	34	342356
533707, 533708, 533709	M6	46	50	342733
533710, 533711, 533712	M8	47	70	342734
533713, 533714, 533715	M10	99	118	342353
533716, 533717, 533718, 533719	M12	127	162	342354