



TRAXIFLEX

Natural Frequency:
8 to 10 Hz (1)



DESCRIPTION

The TRAXIFLEX mounting comprises two metallic U armatures joined by two bonded rubber blocks.

OPERATION

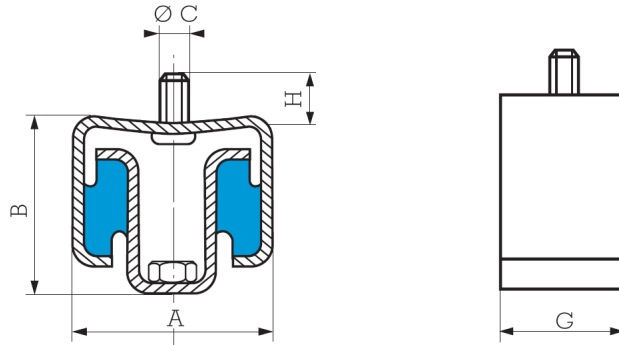
The design of the TRAXIFLEX mounting gives the following basic characteristics :
Rubber works in compression-shear.
The same deflection under nominal load for all types.

Advantages :

- Economic solution for suppressing structure borne noise.
- Several fixing methods.
- High resistance to atmospheric exposure :
- Zinc plated armatures
- Chloroprene elastomer.
- Upper metallic part is shaped to simplify orientation while fixing.
- Two hardnesses of elastomer to extend the choice of mounting as a function of load.
- Filtration of vibration and the attenuation of the consequent noise.
- Allows movement due to thermal expansion.

(1) Natural frequencies with max/min loads, see : OPERATING CHARACTERISTICS.

DIMENSIONS



Part Number	A mm	B mm	Ø C	G mm	H mm
535603	47	38	M6	16	17
535611	55	47	M8	30	13
535612	74	50	M12	40	17

OPERATING CHARACTERISTICS

Load Range - Lbs	Deflection at max load - mm	Part Number
9 - 40	4	535603
22 - 115	4	535611 - 45
44 - 175	4	535611 - 60
44 - 200	4	535612 - 45
66 - 300	4	535612 - 60

INSTALLATION

When fixing, ensure that all the TRAXIFLEX mountings are supporting the same load. It is necessary to ensure that they are all the same distance from the fixing surface (ceiling, girder, plank...).

TRAXIFLEX mountings can be used to suspend pipework or any assembly being fixed to the ceiling.

- Suspending hot air ducts.
- Suspending a fan unit and distribution ducts.
- Suspending a hot air generator with continuous airflow.
- Suspending an integral cased air conditioner.